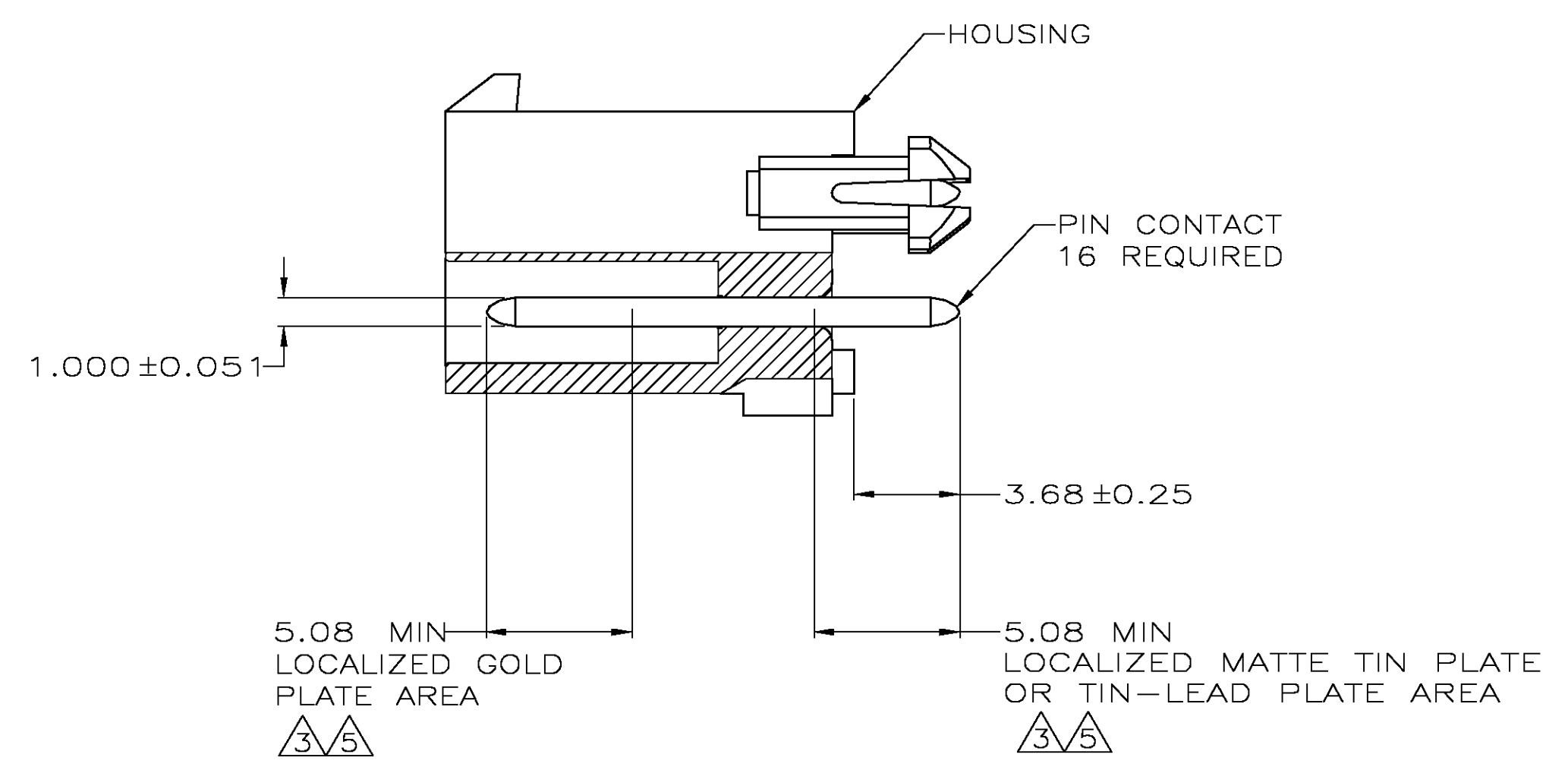
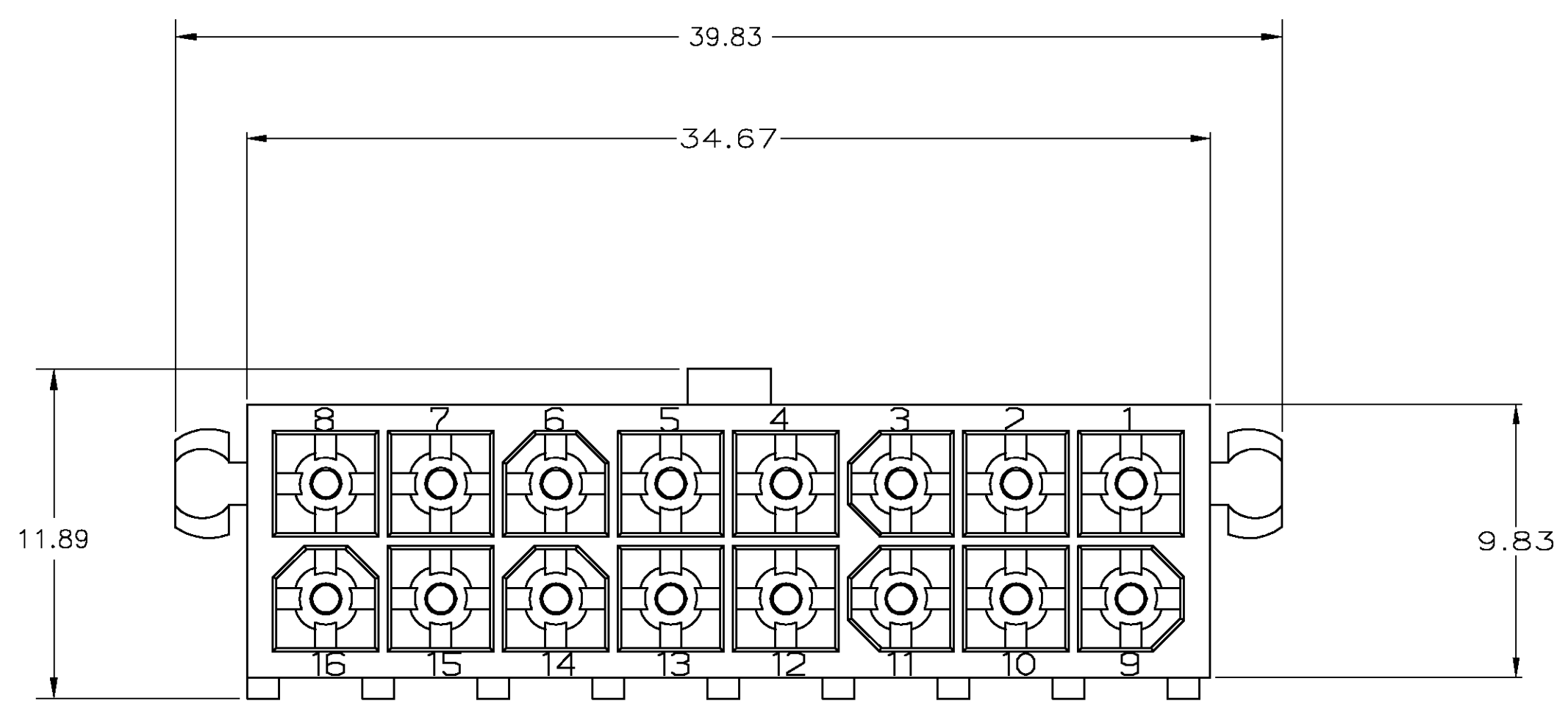
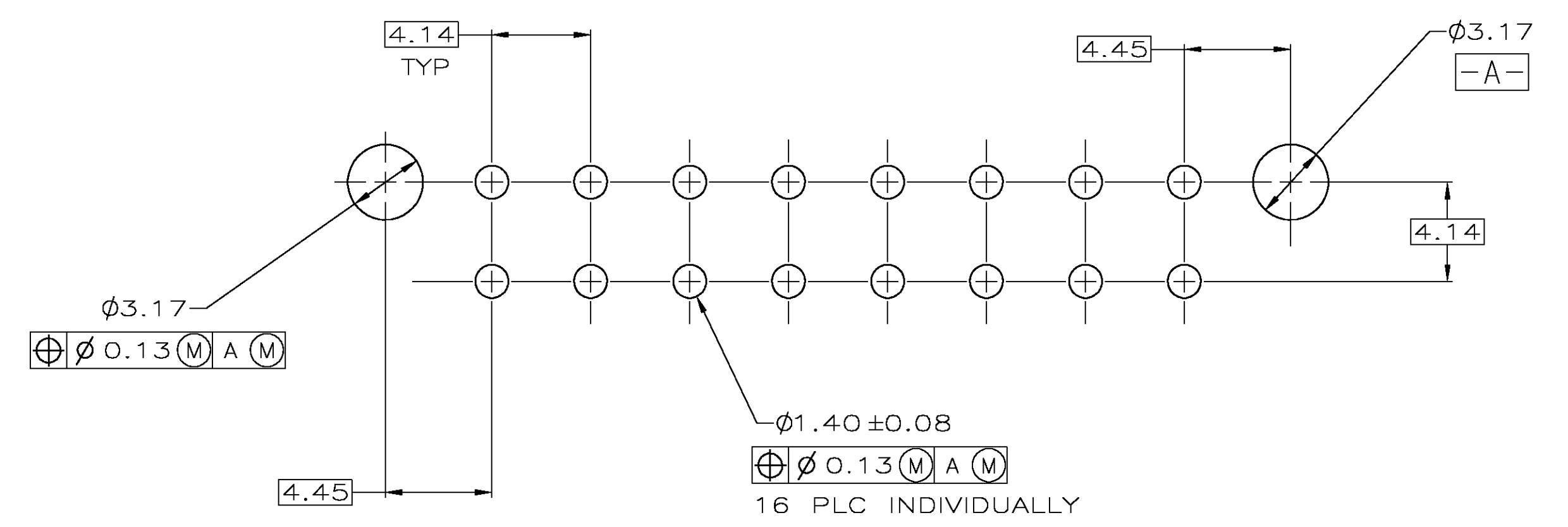
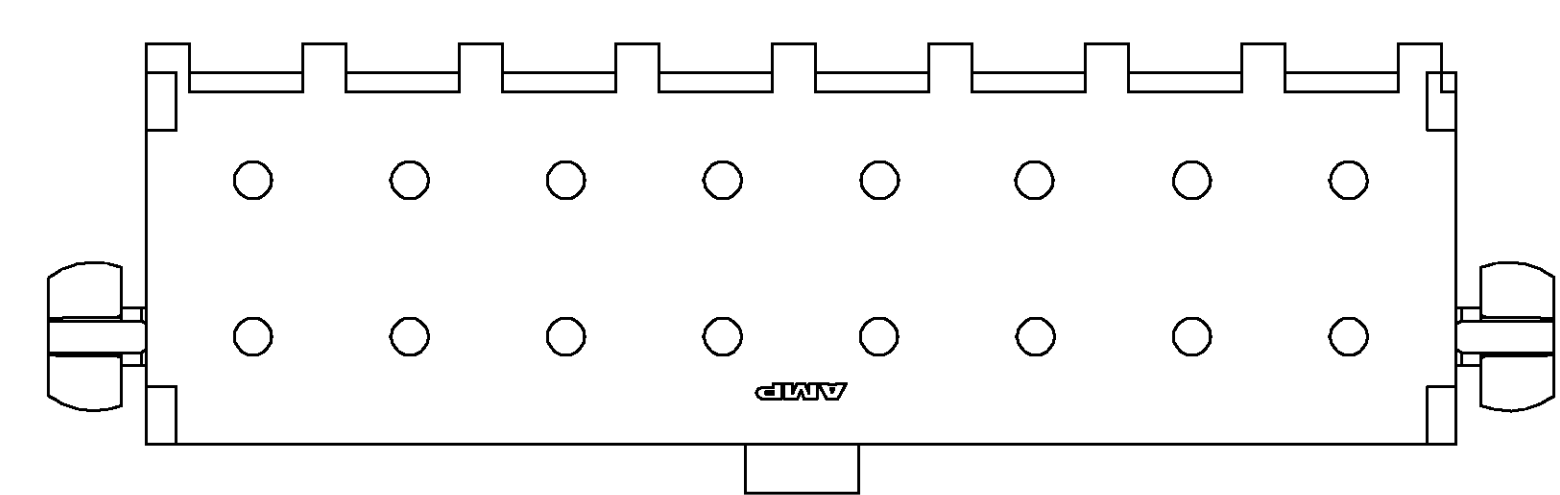
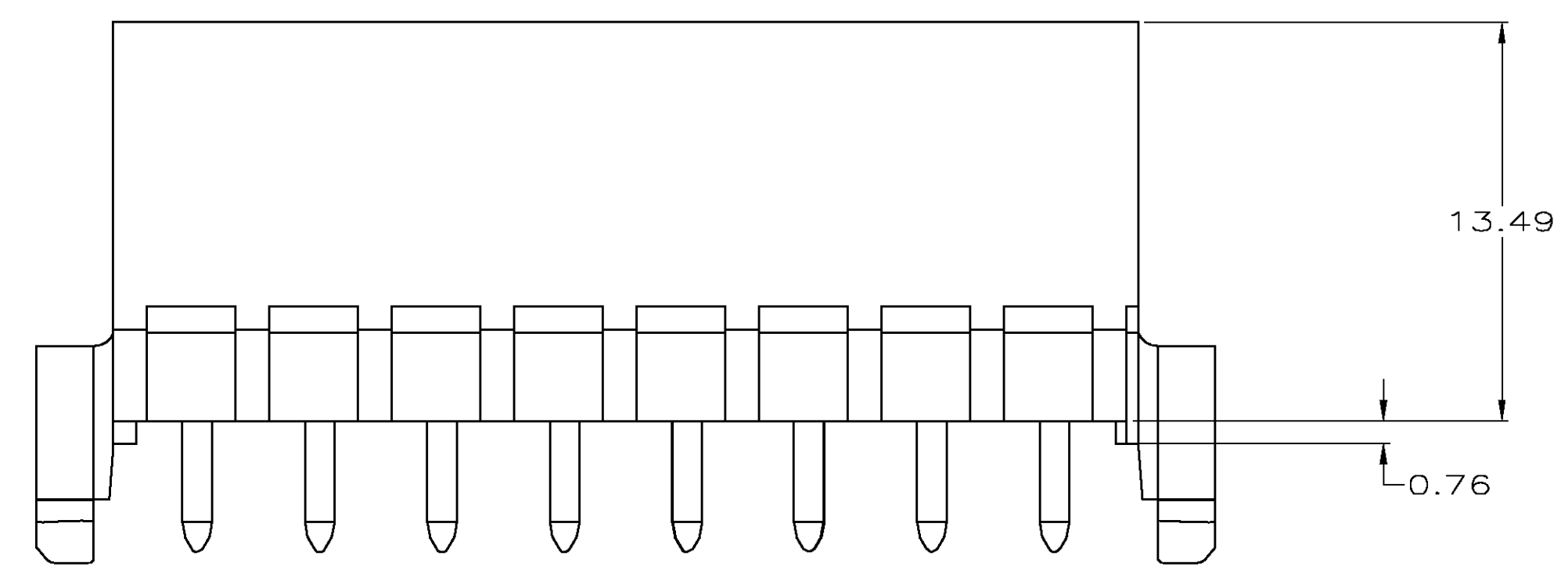


LOC		DIST		REVISIONS			
P	LR	DESCRIPTION	DATE	BY	APPD		
E		REVISED PER 063B-0211-05	6/9/05	SS	RJ		



- PINS TO COMPLY WITH AMP SOLDERABILITY SPEC. 108-11-3.
- 0.00381 MIN MATTE TIN LEAD OVER 0.00127 MIN NICKEL.
- 0.00076 MIN GOLD PLATE IN THE LOCALIZED PLATE AREA, 0.00381 MATTE TIN LEAD IN THE LOCALIZED PLATE AREA, BOTH OVER 0.00127 MIN NICKEL.
- 0.00381 MIN MATTE TIN OVER 0.00127 MIN NICKEL.
- 0.00076 MIN GOLD PLATE IN THE LOCALIZED PLATE AREA, 0.00381 MATTE TIN IN THE LOCALIZED PLATE AREA, BOTH OVER 0.00127 MIN NICKEL.



RECOMMENDED MOUNTING HOLE PATTERN FOR 1.57 THICK P.C. BOARD

MATERIAL	FINISH	MATERIAL	COLOR	PART NO.
BRASS, GOLD	3	NYLON, UL94V-0	WHITE	1-794075-1
BRASS, TIN	4	NYLON, UL94V-0	WHITE	1-794075-0
BRASS, GOLD	3	NYLON, UL94V-0	WHITE	794075-2
BRASS, TIN-LEAD	2	NYLON, UL94V-0	WHITE	794075-1

THIS DRAWING IS A CONTROLLED DOCUMENT.

DIMENSIONS: mm 0 PLC ± - 1 PLC ± - 2 PLC ± 0.13 3 PLC ± - 4 PLC ± - ANGLES ± -	TOLERANCES UNLESS OTHERWISE SPECIFIED: 0 PLC ± - 1 PLC ± - 2 PLC ± 0.13 3 PLC ± - 4 PLC ± - ANGLES ± -	DWG: S CARPENTER 09/JUN/05 CHK: R JONES 29/JUL/2003 APP'D: R JONES 29/JUL/2003 PRODUCT SPEC: - APPLICATION SPEC: - WEIGHT: - CUSTOMER DRAWING: -	Tyco Electronics Corporation Harrisburg, Pa 17105-3608 NAME: HEADER ASSEMBLY, CLOSED BOTTOM, 16 CKT, DOUBLE ROW VERTICAL, MINI UNIVERSAL MATE-N-LOK SIZE: A1 CAGE CODE: 00779 DRAWING NO: 794075 RESTRICTED TO: - SCALE: 5:1 SHEET: 1 OF 1 REV: E
--	--	--	--